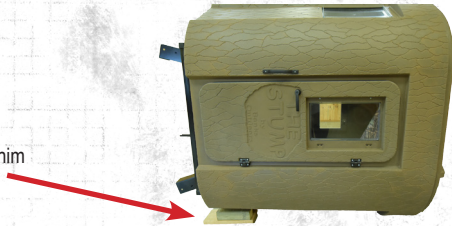


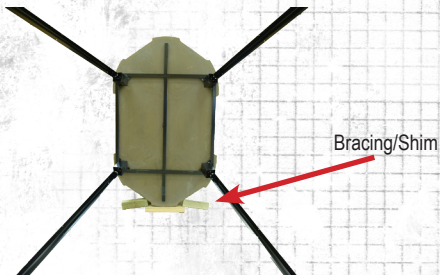
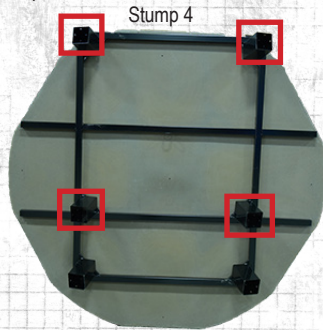
STEEL SKID SYSTEM ASSEMBLY

1. Set blind on its side shimming up the bottom about 6". Make sure the door is horizontal, not vertical.

Shim



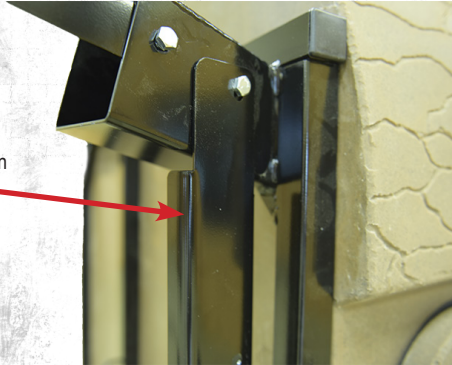
2. Attach all 4 legs. They are approximately 92" long. The legs attach to the inside of the 4x4 pocket of the steel base. Snug up all the bolts, but do not tighten.
*For the Stump 4, attach to front & middle pockets.



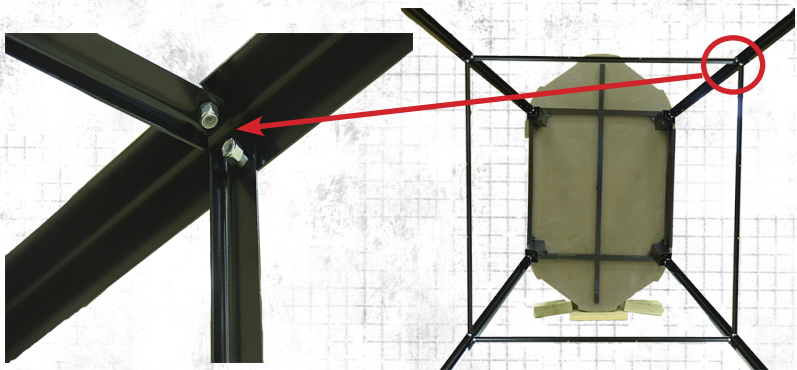
STEEL SKID SYSTEM ASSEMBLY

3. Attach the 51" Ladder Top Support Bracket to the upper bolts of the pockets below the door. Make sure the long angle is face down and ladder attachment hole are up towards the blind.

Angles facing in

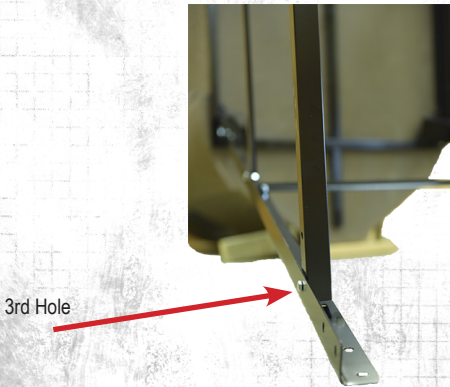


4. Attach the (4) 59 3/4" Center Angle Support in the center of all the legs. Building a "box" frame in the center of the legs. Be sure to have all the angles face the sky when the blind is stood up. All these center angle support brackets attach to the inside of the legs. Once again snug up the bolts but do NOT tighten.

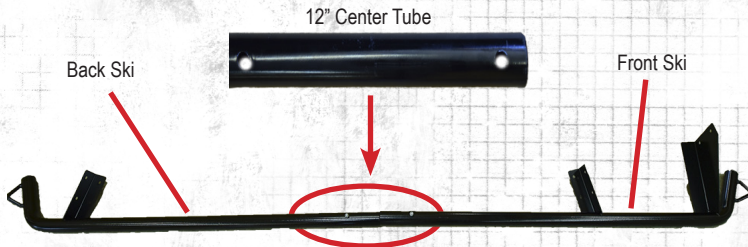


STEEL SKID SYSTEM ASSEMBLY

5. Attach (2) 77" Square Tubing bottom support brackets. These go in the opposed direction of the skis, which is vertical in this assembly step. These are attached with 2 1/2" L Bolts. Be sure to use the 3rd hole up from the bottom for this bracket. Snug not tighten finish.



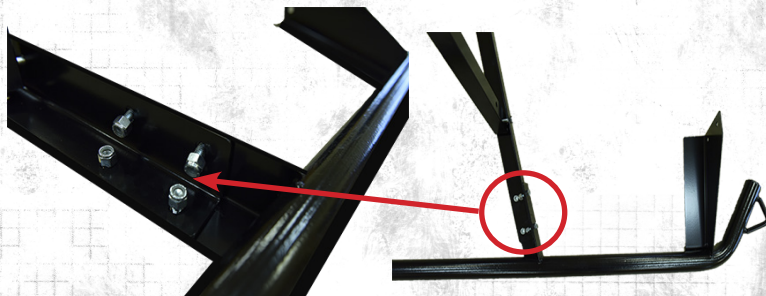
6. Assemble Skis. The skis have a 12" center tube that connects them. Each ski has welded angle on that which determines where it goes. The large welded angle is the front ski. Find the smaller angled (back ski) that shows the angle facing same direction (when laid on the ground) and connect the two with the center splice tube. Do the same to the other ski. **Tighten.**





STEEL SKID SYSTEM ASSEMBLY

- Place skis on the bottom of the legs with the wider angle of the ski facing the door side. (Front of the ski facing door side). Again snug the bolts and do not tighten down.



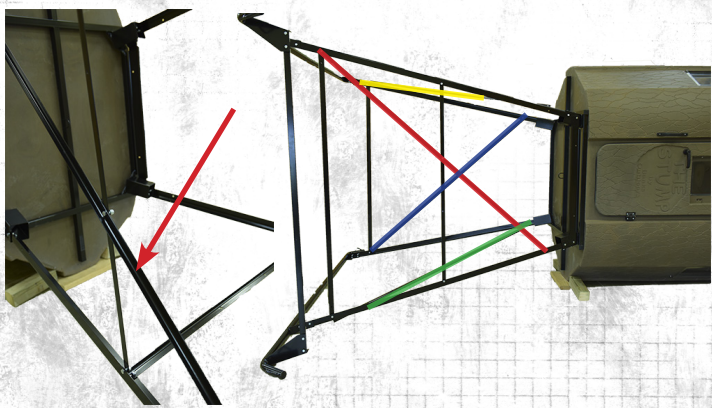
- Attach 3rd 77" square tubing ladder bottom support bracket to the front skis. This attaches to the inside of the wide angle on top of the front ski.



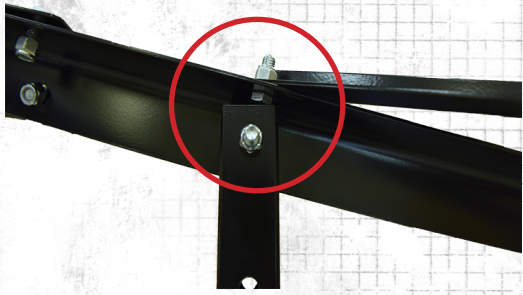


STEEL SKID SYSTEM ASSEMBLY

9. Attach 92" cross bracing angle pieces to the outside legs of the skid system. Then attach it to the center Angle support on the legs. Use only one of the holes on each center angle support. You will only be putting on half an "X" brace on each side of the steel skid system, so on the opposite side run the cross bracing in the opposite direction.



On the bottom sides where your cross braces meet your square tubing braces, dis-attach the square tubing and insert the bolt facing out and attach the cross brace. Then, re-attach the square tubing (Be sure to tighten cross brace before you re-attach square tubing). Snug up each bolt but do not tighten completely.



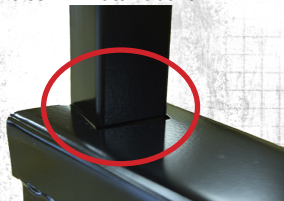


STEEL SKID SYSTEM ASSEMBLY

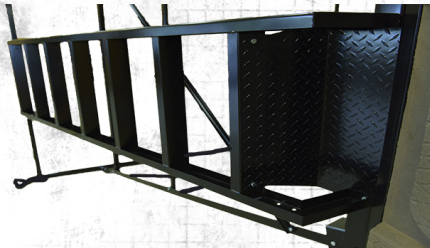
10. Attach top safety step (diamond plate) to the top of the ladder. You will only be able to attach to the top step of the ladder at this point.



11. Set Ladder on top of bottom ladder square tubing. Try to line it up as close to center so that you holes will match above



12. Bolt up top of the ladder to top support bracket. You will also attach top portion of the safety step through the same holes as we attach the ladder through. Maneuver accordingly to line up all holes.



13. Attach handrail. One handrail can go on either side, which ever you prefer.

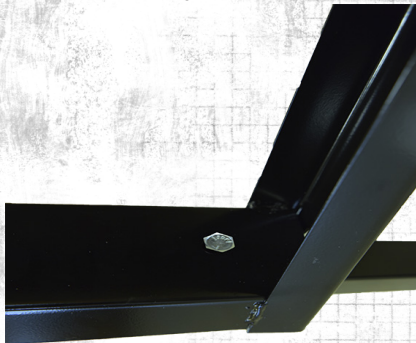


STEEL SKID SYSTEM ASSEMBLY

14. Attach Earth Anchor cable to hook on the base of base plate.



15. Set the stakes in the ground by the bottom skis to act as a stop and pivot point when putting it up in the air.
16. Lift blind.
17. Use the self-tapping screws and washers to fasten the bottom ladder step to the bottom ladder square tubing. See holes in the bottom step.



18. Place grip tape on ladder steps.
19. Tighten all bolts.

**Please note, you will not use all the holes in this assembly, they were specifically designed with extra holes so that parts of the assembly could make the parts interchangeable throughout the process.*

YOUR ASSEMBLY IS COMPLETE!